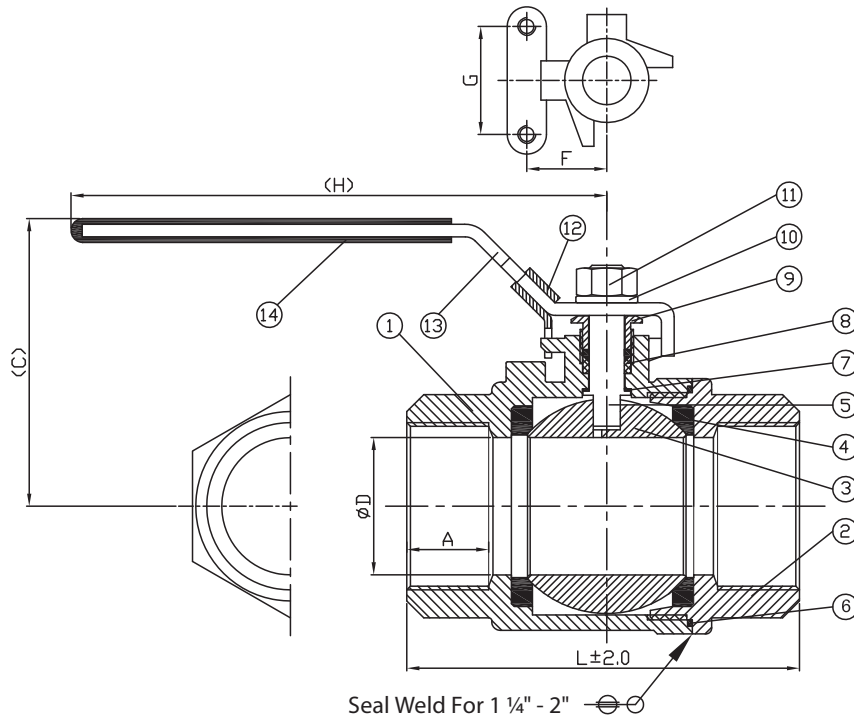


2000 CWP • Full Port • Threaded Ends

9431-LL

Stainless Steel, 2-Piece Body, Stainless Steel Ball & Stem, Locking Lever, Meets MSS SP-110



Materials of Construction

No.	Description	Material
1	Body	CF8M
2	Cap	CF8M
3*	Ball (Vented)	CF8M
4	Seat	RTFE - PTFE 15% GF
5	Stem	AISI 316
6	Body Seal	PTFE (for 1/4" - 1")
7	Thrust Washer	PTFE
8	Stem Packing	PTFE
9	Gland Nuts	A2
10	Spring Washer	AISI 304
11	Handle Nuts	A2
12	Locking Device	AISI 304
13	Handle	AISI 304
14	Handle Sleeve	PVC

* All carbon and stainless ball valves come standard with a stainless steel ball.

For optional Accessories see Page 12.

Dimensions and Weights

Inches (millimeters) - Pounds (kilograms)
Pound-Force Foot (Newton Meter)

Valve Size	Dimensions							Wt.	Torque	C _v Factor
	D	L	C	H	F	G	A			
1/4	.45	1.97	2.17	4.13	.50	1.12	.49	.66	3	6.6
	(12)	(50)	(55)	(105)	(13)	(29)	(13)	(.30)	(4)	
3/8	.49	2.36	2.17	4.13	.50	1.12	.55	.66	5	7.9
	(13)	(60)	(55)	(105)	(13)	(29)	(14)	(.30)	(6)	
1/2	.59	2.95	2.24	4.13	.50	1.12	.70	.88	6	11.2
	(15)	(75)	(57)	(105)	(13)	(29)	(18)	(.40)	(8)	
3/4	.79	3.15	2.68	4.84	.87	1.38	.75	1.32	9	21
	(20)	(80)	(68)	(123)	(22)	(35)	(19)	(.60)	(12)	
1	.98	3.54	2.87	6.10	.87	1.38	.89	2.09	11	35
	(25)	(90)	(73)	(155)	(22)	(35)	(23)	(.95)	(15)	
1 1/4	1.26	4.33	3.35	6.10	.93	1.50	.98	3.2	19	57
	(32)	(110)	(85)	(155)	(24)	(38)	(25)	(1.45)	(25)	
1 1/2	1.50	4.72	3.82	7.52	.93	1.50	.98	4.96	26	80
	(38)	(120)	(97)	(191)	(24)	(38)	(25)	(2.25)	(35)	
2	1.93	5.51	4.09	7.52	1.14	1.50	1.15	7.28	34	150
	(49)	(140)	(104)	(191)	(29)	(38)	(29)	(3.30)	(45)	