

Class 150 • Outside Screw & Yoke • Bolted Bonnet

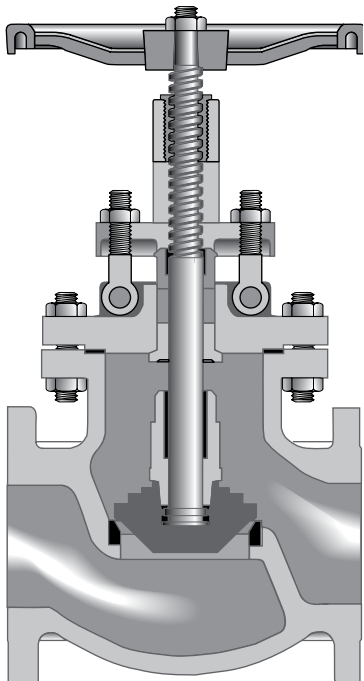
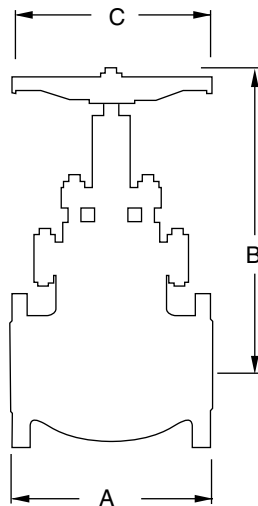


Figure 143
Globe, Flanged
Figure 143½
Globe, Butt Weld

Size Range:
2 through 12 inches
(50 - 300 mm)

Pressure Temperature Rating
Carbon Steel
ASTM A216 Grade WCB
285 psi @ -20°F to 100°F
(20 bar @ -28°C to 37°C)



Industry Standards

Steel Valves	ASME B16.34
Face-to-Face/End-to-End	ASME B16.10
Flange Dimensions	ASME B16.5
Weld End	ASME B.16.25
Testing	API 598

Material of Construction*

Description	Material
Body	WCB
Bonnet	WCB
Seat Rings	Hardfaced
Disc	13% CR Overlay
Stem	410 SS
Packing	Graphite
Bonnet Gasket	Corrugated Soft Steel or Steel/ Stainless Steel w/Graphite
Back Seat	410 SS
Disc Stem Nut	410 SS
Disc Washer	Carbon Steel
Gland	410 SS
Gland Flange	WCB
Eye Bolt	Steel
Eye Bolt Nuts	A563 Gr. A or O
Pins	-
Bonnet Studs	A193 Gr. B7
Bonnet Nuts	A194 Gr. 2H
Handwheel	WCB
Handwheel Nut	A194 Gr. 2H
I.D. Tags	SS
I.D. Pins	Steel

NOTES:

*Standard construction: WCB-Trim 8, other options are available. Crane recommends the use of manual or powered gear assistance for sizes 6" and larger.

Dimensions and Weights

Inches (millimeters) - pounds (kilograms)

Valves	2 (50)	2 ½ (65)	3 (80)	4 (100)	6 (150)	8 (200)	10 (250)	12 (300)
A	8.00 (203)	8.50 (216)	9.50 (241)	11.50 (292)	16.00 (406)	19.50 (495)	24.50 (622)	27.50 (698)
B (Open)	14 (356)	16 (406)	16 (406)	19 (482)	21 (533)	24 (610)	29 (736)	40 (1016)
C	8 (203)	8 (203)	10 (254)	12 (304)	14 (355)	18 (457)	20 (508)	24 (610)
Wt. (143)	48 (21)	70 (31)	92 (41)	132 (59)	223 (101)	355 (161)	640 (290)	1100 (498)
Wt. (143½)	49 (22)	60 (27)	84 (38)	137 (62)	230 (104)	350 (158)	680 (308)	1190 (539)

Class 300 • Outside Screw & Yoke • Bolted Bonnet

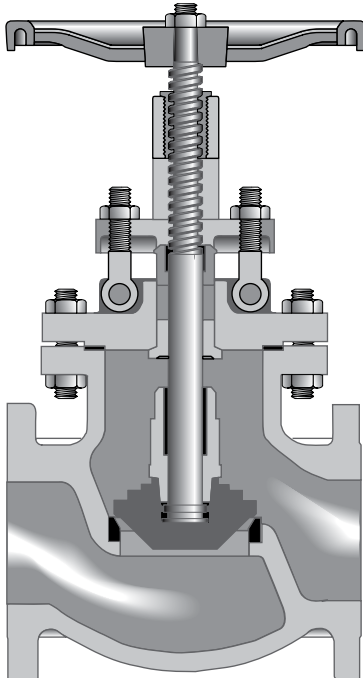
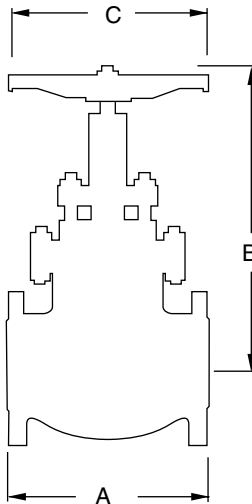


Figure 151
Globe, Flanged
Figure 151½
Globe, Butt Weld

Size Range:
2 through 12 inches
(50 - 300 mm)

Pressure Temperature Rating
Carbon Steel
ASTM A216 Grade WCB
740 psi @ -20°F to 100°F
(51 bar @ -28°C to 37°C)



Industry Standards

Steel Valves	ASME B16.34
Face-to-Face/End-to-End	ASME B16.10
Flange Dimensions	ASME B16.5
Weld End	ASME B.16.25
Testing	API 598

Material of Construction*

Description	Material
Body	WCB
Bonnet	WCB
Seat Rings	Hardfaced
Disc	13% CR Overlay
Stem	410 SS
Packing	Graphite
Bonnet Gasket	Stainless Steel spiral wound Graphite
Back Seat	410 SS
Disc Stem Nut	410 SS
Disc Washer	Carbon Steel
Gland	410 SS
Gland Flange	WCB
Eye Bolt	Steel
Eye Bolt Nuts	A563 Gr. A or O
Pins	-
Bonnet Studs	A193 Gr. B7
Bonnet Nuts	A194 Gr. 2H
Handwheel	WCB
Handwheel Nut	A194 Gr. 2H
I.D. Tags	SS
I.D. Pins	Steel

NOTES:

*Standard construction: WCB-Trim 8, other options are available. Crane recommends the use of manual or powered gear assistance for sizes 6" and larger.

Dimensions and Weights

Inches (millimeters) - pounds (kilograms)

Valves	2 (50)	2½ (65)	3 (80)	4 (100)	6 (150)	8 (200)	10 (250)	12 (300)
A	10.50 (267)	11.50 (292)	12.50 (317)	14.00 (356)	17.50 (444)	22.00 (558)	24.50 (622)	28.00 (711)
B (Open)	15 (381)	18 (457)	18 (457)	21 (533)	25 (635)	36 (914)	41 (1041)	51 (1295)
C	8 (203)	10 (254)	10 (254)	14 (355)	18 (457)	22 (559)	24 (610)	25 (635)
Wt. (151)	69 (31)	99 (44)	128 (58)	190 (86)	330 (149)	330 (149)	700 (317)	1360 (616)
Wt. (151½)	62 (28)	73 (33)	124 (56)	181 (82)	340 (154)	530 (240)	710 (322)	1400 (635)

Class 600 • Outside Screw & Yoke • Bolted Bonnet

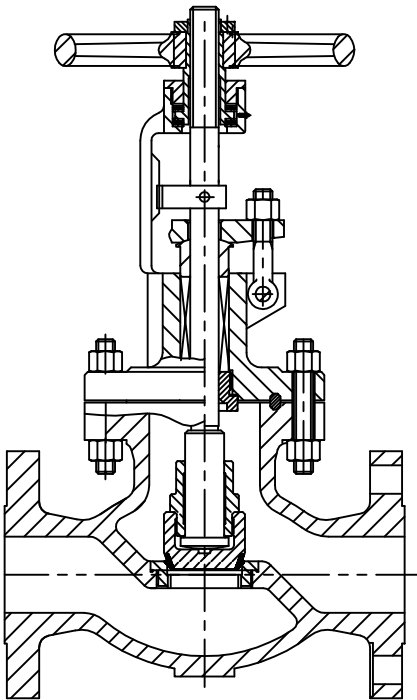
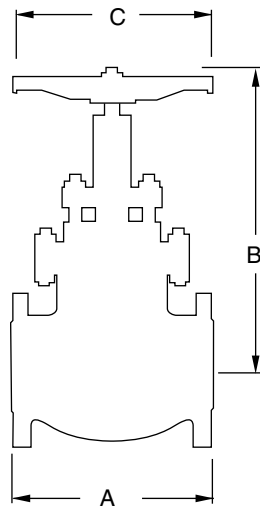


Figure 171
Globe, Flanged
Figure 171½
Globe, Butt Weld

Size Range:
2 through 8 inches
(50 - 200 mm)

Pressure Temperature Rating
Carbon Steel
ASTM A216 Grade WCB
1480 psi @ -20°F to 100°F
(102 bar @ -28°C to 37°C)



Industry Standards

Steel Valves	ASME B16.34
Face-to-Face/End-to-End	ASME B16.10
Flange Dimensions	ASME B16.5
Weld End	ASME B.16.25
Testing	API 598

Material of Construction*

Description	Material
Body	WCB
Bonnet	WCB
Seat Ring	A182 Hardfaced
Disc	A182 13% CR Overlay
Stem	A182 Gr. F6
Packing	Graphite
Bonnet Gasket	Ring Type Soft Iron
Bonnet Bushing	410 SS
Disc Stem Nut	410 SS
Disc Thrust Plate	420 SS
Gland	410 SS
Gland Flange	WCB
Eye Bolt Bolts	A307 Gr. B
Eye Bolt Nuts	A194 Gr. 2H
Anti-Rotating Block	Carbon Steel
Pin	410 SS
Eye Bolt Pin	Carbon Steel
Bonnet Bolts	A193 Gr. B7
Bonnet Bolt Nuts	A194 Gr. 2H
Handwheel	Malleable Iron
Handwheel Nut	A194 Gr. 2H
Grease Nipple	Carbon Steel
Shock Block	Carbon Steel
Screws	Carbon Steel
Backing Ring	Carbon Steel
Yoke Sleeve	A439 Gr. D-2
Retaining Nut	Carbon Steel
Bearing	Groupware

NOTES:

*Standard construction: WCB-Trim 8, other options are available. Crane recommends the use of manual or powered gear assistance for sizes 4" and larger.

Dimensions and Weights

Inches (millimeters) - pounds (kilograms)

Valves	2 (50)	2 ½ (65)	3 (80)	4 (100)	6 (150)	8 (200)
A	11.50 (292)	13.00 (330)	14.00 (356)	17.00 (432)	22.00 (559)	26.00 (660)
B (Open)	18 (460)	21 (528)	23 (570)	27 (672)	33 (823)	36 (899)
C	10 (250)	10 (250)	14 (350)	18 (450)	20 (500)	26 (640)
Wt. (171)	126 (57)	154 (70)	188 (85)	271 (123)	890 (404)	992 (450)
Wt. (171½)	79 (35)	100 (45)	187 (84)	271 (122)	890 (403)	990 (449)