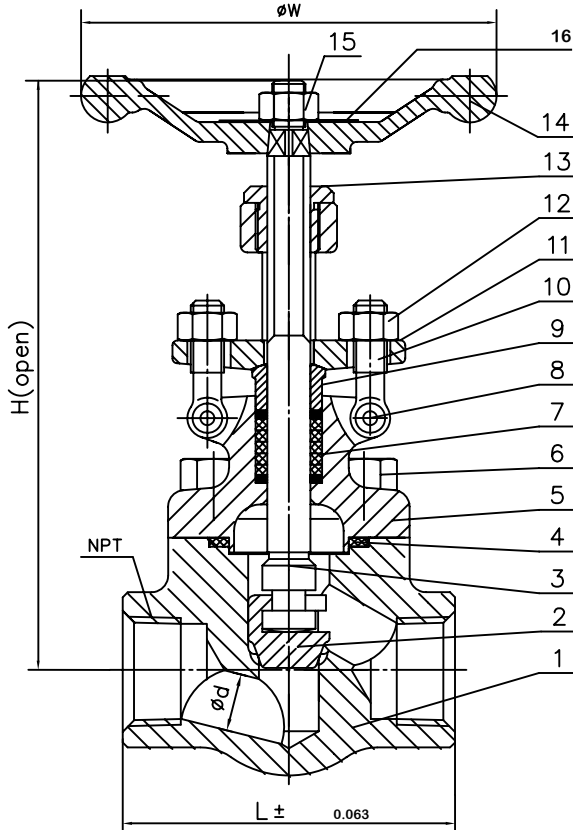


# Forged Steel Globe Valve Class 800 Conventional Port (NPT)

**Figure Number: B3644XUT**

Globe valve, Conventional Port,  
Bolted Bonnet, OS&Y, NPT Ends



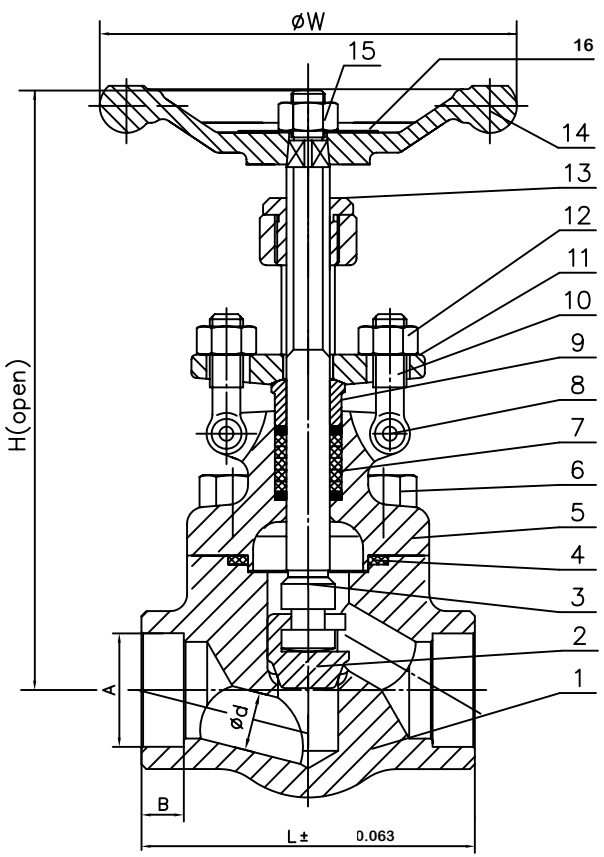
inch NPS	L	NPT	$\phi W$	H	$\phi d$			
2	6.30	2"	7.09	10.39	1.42			
1 1/2	5.71	1 1/2"	6.30	8.74	1.14			
1 1/4	4.49	1 1/4"	6.30	8.35	0.89			
1	3.94	1"	4.92	7.40	0.69			
3/4	3.15	3/4"	3.94	6.18	0.47			
1/2	2.87	1/2"	3.94	6.10	0.35			
3/8	2.87	3/8"	3.94	6.10	0.35			
1/4	2.87	1/4"	3.94	6.10	0.28			
9	Gland		ASTM A276 420					
8	Pin		ASTM A276 304					
7	Packing		Graphite		16	Nameplate		
6	Bolt		ASTM A193 B7		15	Nut		1035 plate Zn
5	Bonnet		ASTM A105N		14	Handwheel		ASTM A197
4	Gasket		304+Graphite		13	Yoke nut		ASTM A276 410
3	Stern		ASTM A182 F6a		12	Nut		ASTM A194 2H
2	Disc		ASTM A276 420		11	Gland flange		ASTM A105N
1	Body		ASTM A105N+STL		10	Eye bolt		ASTM A193 B7
No.	Name		Material		No.	Name		Material

**Technical Requirements**

1. Design & manufacture conform to API 602
2. NPT ends conform to ASME B1.20.1
3. Face to Face dimension conform to manufacturer's standard
4. Inspection and test as per API 598

# Forged Steel Globe Valve Class 800 Conventional Port (Socket Weld)

**Figure Number: B3644XUW**  
Globe valve, Conventional Port,  
Bolted Bonnet, OS&Y, Socket Weld Ends



2	6.30	2.41	0.63	7.09	10.39	1.42		
1 1/2	5.71	1.92	0.50	6.30	8.74	1.14		
1 1/4	4.49	1.68	0.50	6.30	8.35	0.89		
1	3.94	1.33	0.50	4.92	7.40	0.69		
3/4	3.15	1.07	0.50	3.94	6.18	0.47		
1/2	2.87	0.86	0.38	3.94	6.10	0.35		
3/8	2.87	0.69	0.38	3.94	6.10	0.35		
1/4	2.87	0.56	0.38	3.94	6.10	0.28		
inch								
NPS	L	A	B	$\phi W$	H	$\phi d$		
9	Gland		ASTM A276 420					
8	Pin		ASTM A276 304					
7	Packing		Graphite		16	Nameplate		
6	Bolt		ASTM A193 B7		15	Nut	1035 plate Zn	
5	Bonnet		ASTM A105N		14	Handwheel		ASTM A197
4	Gasket		304+Graphite		13	Yoke nut		ASTM A276 410
3	Stem		ASTM A182 F6a		12	Nut		ASTM A194 2H
2	Disc		ASTM A276 420		11	Gland flange		ASTM A105N
1	Body		ASTM A105N+STL		10	Eye bolt		ASTM A193 B7
No.	Name		Material		No.	Name		Material

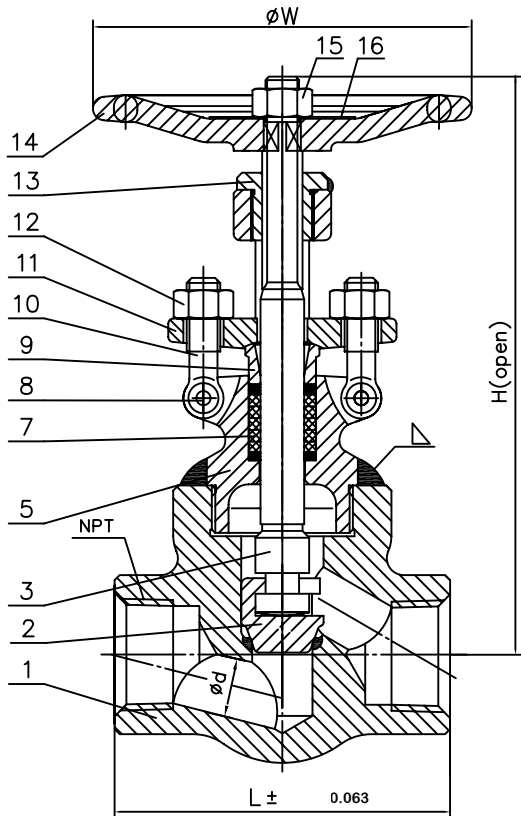
**Technical Requirements**

1. Design & manufacture conform to API 602
2. Test & Inspect conform to API 598
3. Face to Face dimension conform to manufacturer's standard
4. SW ebds conform to ASME B16.11

# Forged Steel Welded Bonnet Globe Valve Class 800 Conventional Port (NPT)

**Figure Number: W3644XUT**

Globe valve, Conventional Port,  
Welded Bonnet, OS&Y, NPT Ends



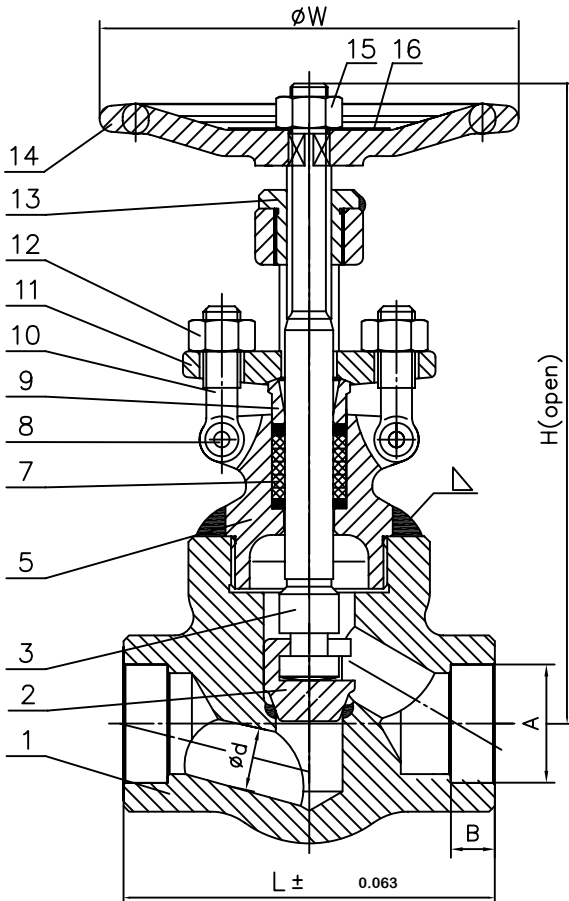
inch	L	NPT	$\phi W$	H	$\phi d$			
2	6.30	2"	7.09	10.39	1.42			
1 1/2	5.71	1 1/2"	6.30	8.74	1.14			
1 1/4	4.49	1 1/4"	6.30	8.35	0.89			
1	3.94	1"	4.92	7.40	0.69			
3/4	3.15	3/4"	3.94	6.18	0.47			
1/2	2.87	1/2"	3.94	6.10	0.35			
NPS	L	NPT	$\phi W$	H	$\phi d$			
9	Gland		ASTM A276 420					
8	Pin		ASTM A276 304					
7	Packing		Graphite		16	Nameplate		
6					15	Nut	1035 plate Zn	
5	Bonnet		ASTM A105N		14	Handwheel	ASTM A197	
4					13	Yoke nut	ASTM A276 410	
3	Stem		ASTM A182 F6a		12	Nut	ASTM A194 2H	
2	Disc		ASTM A276 420		11	Gland flange	ASTM A105N	
1	Body		ASTM A105N+STL		10	Eye bolt	ASTM A193 B7	
No.	Name	Material		No.	Name	Material		

**Technical Requirements**

1. Design & manufacture conform to API 602
2. NPT ends conform to ASME B1.20.1
3. Face to Face dimension conform to manufacturer's standard
4. Inspection and test as per API 598

# Forged Steel Welded Bonnet Globe Valve Class 800 Conventional Port (Socket Weld)

**Figure Number: W3644XUW**  
Globe valve, Conventional Port,  
Welded Bonnet, OS&Y, Socket Weld Ends



2	6.30	2.41	0.63	7.09	10.39	1.42		
1 1/2	5.71	1.92	0.50	6.30	8.74	1.14		
1 1/4	4.49	1.68	0.50	6.30	8.35	0.89		
1	3.94	1.33	0.50	4.92	7.40	0.69		
3/4	3.15	1.07	0.50	3.94	6.18	0.47		
1/2	2.87	0.86	0.38	3.94	6.10	0.35		
inch								
NPS	L	A	B	$\phi W$	H	$\phi d$		
9	Gland	ASTM A276 420						
8	Pin	ASTM A276 304						
7	Packing	Graphite		16	Nameplate			
6				15	Nut	1035 plate Zn		
5	Bonnet	ASTM A105N		14	Handwheel	ASTM A197		
4				13	Yoke nut	ASTM A276 410		
3	Stem	ASTM A182 F6a		12	Nut	ASTM A194 2H		
2	Disc	ASTM A276 420		11	Gland flange	ASTM A105N		
1	Body	ASTM A105N+STL		10	Eye bolt	ASTM A193 B7		
No.	Name	Material		No.	Name	Material		

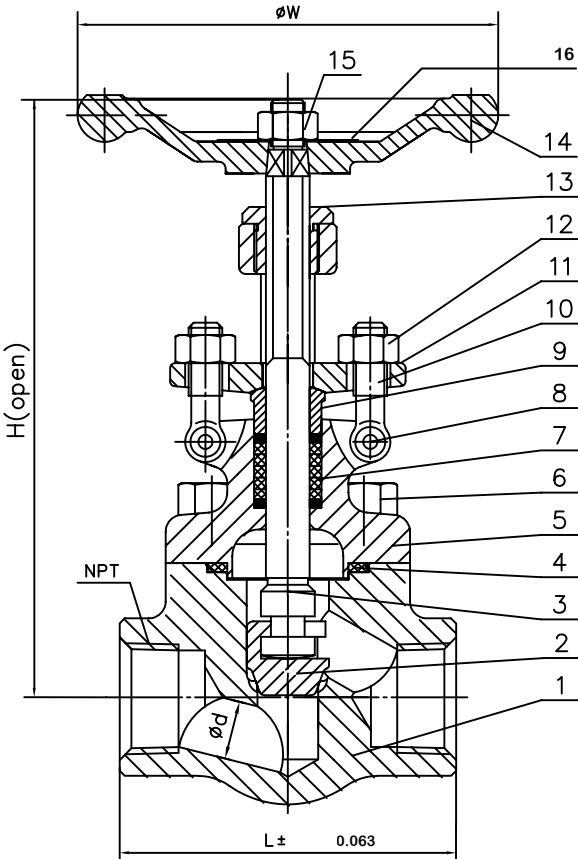
### Technical Requirements

1. Design & manufacture conform to API 602
2. Test & Inspect conform to API 598
3. Face to Face dimension conform to manufacturer's standard
4. SW ends conform to ASME B16.11

# Forged Steel Globe Valve Class 1500 Conventional Port (NPT)

**Figure Number: B3844XUT**

Globe valve, Conventional Port,  
Bolted Bonnet, OS&Y, NPT Ends



2	6.77	2"	7.09	11.18	1.30			
1 1/2	6.30	1 1/2"	7.09	10.35	1.14			
1 1/4	5.71	1 1/4"	6.30	8.62	1.02			
1	4.49	1"	6.30	8.35	0.75			
3/4	3.94	3/4"	4.92	7.36	0.57			
1/2	3.94	1/2"	4.92	7.36	0.43			
inch								
NPS	L	NPT	$\phi W$	H	$\phi d$			
9	Gland	ASTM A276 420						
8	Pin	ASTM A276 304						
7	Packing	Graphite	16	Nameplate				
6	Bolt	ASTM A193 B7	15	Nut	1035 plate Zn			
5	Bonnet	ASTM A105N	14	Handwheel	ASTM A197			
4	Gasket	304+Graphite	13	Yoke nut	ASTM A276 410			
3	Stem	ASTM A182 F6a	12	Nut	ASTM A194 2H			
2	Disc	ASTM A276 420	11	Gland flange	ASTM A105N			
1	Body	ASTM A105N+STL	10	Eye bolt	ASTM A193 B7			
No.	Name	Material	No.	Name	Material			

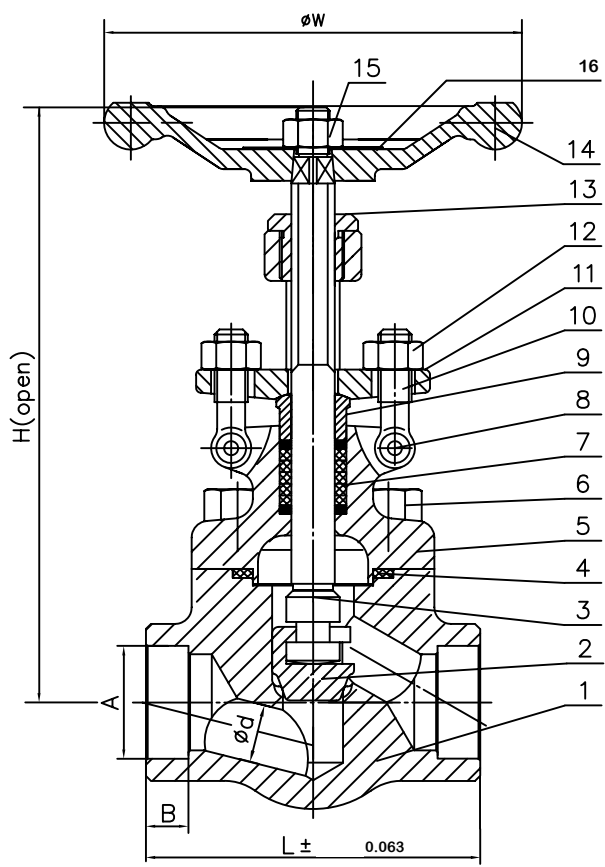
**Technical Requirements**

1. Design & manufacture conform to API 602
2. NPT ends conform to ASME B1.20.1
3. Face to Face dimension conform to manufacturer's standard
4. Inspection and test as per API 598

# Forged Steel Globe Valve Class 1500 Conventional Port (Socket Weld)

**Figure Number: B3844XUW**

Globe valve, Conventional Port,  
Bolted Bonnet, OS&Y, Socket Weld Ends



2	6.77	2.41	0.63	7.09	11.18	1.30		
11/2	6.30	1.92	0.50	7.09	10.35	1.14		
11/4	5.71	1.68	0.50	6.30	8.62	1.02		
1	4.49	1.33	0.50	6.30	8.35	0.75		
3/4	3.94	1.07	0.50	4.92	7.36	0.57		
1/2	3.94	0.86	0.38	4.92	7.36	0.43		
inch								
NPS	L	A	B	$\phi W$	H	$\phi d$		
9	Gland		ASTM A276 420					
8	Pin		ASTM A276 304					
7	Packing		Graphite		16	Nameplate		
6	Bolt		ASTM A193 B7		15	Nut	1035 plate Zn	
5	Bonnet		ASTM A105N		14	Handwheel	ASTM A197	
4	Gasket		304+Graphite		13	Yoke nut	ASTM A276 410	
3	Stem		ASTM A182 F6a		12	Nut	ASTM A194 2H	
2	Disc		ASTM A276 420		11	Gland flange	ASTM A105N	
1	Body		ASTM A105N+STL		10	Eye bolt	ASTM A193 B7	
No.	Name		Material		No.	Name		Material

**Technical Requirements**

1. Design & manufacture conform to API 602
2. Test & Inspect conform to API 598
3. Face to Face dimension conform to manufacturer's standard
4. SW ebds conform to ASME B16.11