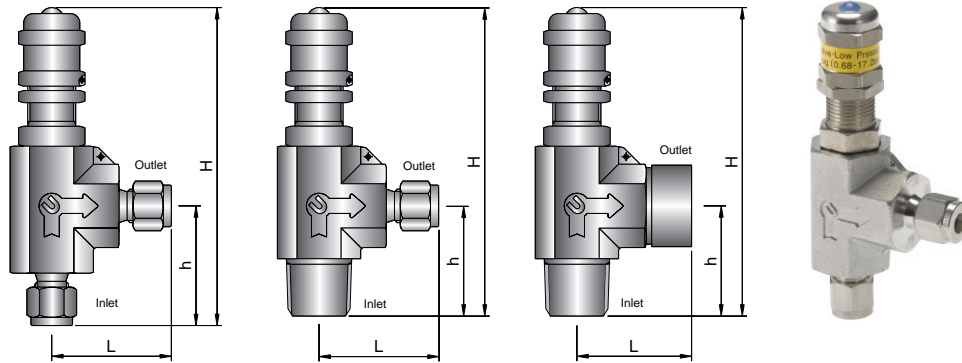


VR series



Ordering Information & Dimensions

Part Number	End Connection		Orifice	Dimensions (mm)			
	Inlet	Outlet		L	h	H	
VR3 or VR6	U-04T- 1/4" Uni-Lok		4.8	39.6	39.6	109.4	
	U-06T- 3/8" Uni-Lok			43.8	43.8	113.6	
	U-08T- 1/2" Uni-Lok			46.5	46.5	116.4	
	U-M06T- 6mm Uni-Lok			39.6	39.6	109.4	
	U-M08T- 8mm Uni-Lok			46.5	46.5	116.4	
	U-M12T- 12mm Uni-Lok			46.5	46.5	116.4	
	MF-04N-	1/4" Male NPT		1/4" Female NPT	32.5	32.5	102.3
	MF-06N-	3/8" Male NPT		3/8" Female NPT	34.5		
	MF-08N-	1/2" Male NPT		1/2" Female NPT	38.0		
	MU-08N08T-	1/2" Male NPT		1/2" Uni-Lok	46.5	36.5	106.3
	MU-08NM12T-	1/2" Male NPT		12mm Uni-Lok			

Specification

Specification	VR3 series	VR6 Series
Maxium Working Pressure	3000 psig 207 bar	6000 psig 413 bar
Temperature Range	-23 ~ 204°C -10 ~ 400F	
Cracking Pressure Range	10~250 psig 0.7~18 bar	350~6000 psig 25~413 bar

ISO7/1 Tapered Threads (PT) are available for all fractional sizes of VR series valves.
Add "R" as a suffix instead of "N"

Reseal Pressure

Series	Test Set Pressure		Minimum Resealing Pressure (%)
	psig	bar	
VR3	10~20	0.7~1.3	50
	175~225	12.0~15.5	90
VR6	100~200	6.8~13.7	50
	850~1000	58.5~68.9	84

Minimum Resealing Pressure - As a percentage of test set pressure

Spring Color Coding and Cracking Pressure Range

Series	Color	Cracking Pressure Range	
		psig	bar
VR3	Yellow	10~250	0.7~18
	Yellow	350~750	24~52
VR6	Purple	750~1500	52~103
	Orange	1500~2250	103~155
	Brown	2250~3000	155~206
	White	3000~4000	206~275
	Red	4000~5000	275~344
	Green	5000~6000	344~413

Dimensions are for reference only and are subject to change without prior notice.



CONNECTS THE WORLD SINCE 1984 www.unilok.com

본사 및 제1공장
인천광역시 남동구 고잔동 725-13번지
남동공단 152블럭 12롯데 ☎ 405-822
전화 : 032-822-6600
팩스 : 032-822-6604

제2공장
인천광역시 남동구 고잔동 684-7번지
남동공단 114블럭 8롯데 ☎ 405-818
전화 : 032-433-6601
팩스 : 032-441-7600

Headquarters & 1st Factory
152 Block-12 Lot, Namdong Indus-Park, 725-13,
Gojan-Dong, Namdong-Gu, Incheon, Korea
Tel : +82-32-821-6673
Fax : +82-32-822-6604

2nd Factory
114 Block-8 Lot, Namdong Indus-Park, 684-7,
Gojan-Dong, Namdong-Gu, Incheon, Korea
Tel : +82-32-433-6601
Fax : +82-32-441-7600